

IS 2180 ECO

Anthracite
 EAN 4007841 064907
 Article number 064907



infrared sensor
180°

2000 W

max. 2000 W



max. Ø 12 m



IP54



Ideal 2 m



2 - 2000 lux



10 sec - 15 min



energy saving



CE

5 years

manufacturer's
warranty steinel-
professional.de/
garantie

Function description

Attractive, clever, efficient. Infrared motion detector IS 2180 ECO for outdoors, ideal for building fronts and properties, medium-sized business and outdoor spaces, ideal installation height 2 m, 180° angle of coverage, reach. 12 m max. or 5 m max. (tangential), selectable time and twilight threshold, manual override, for mounting on outside and inside corners.

Technical specifications

Dimensions (L x W x H)	55 x 78 x 120 mm	LED lamps > 8 W	350 W
With motion detector	Yes	Capacitive load in µF	132 µF
Manufacturer's Warranty	5 years	Power consumption	0,5 W
Settings via	Potentiometers	Technology, sensors	passive infrared, Light sensor
With remote control	No	Mounting height	1,8 – 4 m
Version	Anthracite	Mounting height max.	4,00 m
PU1, EAN	4007841064907	Optimum mounting height	2 m
Type	Motion detectors	Detection angle	180 °
Application, place	Outdoors	Angle of aperture	90 °
Application, room	outdoors, front door, all round the building, terrace / balcony, courtyard & driveway	Sneak-by guard	Yes
Colour	Anthracite	Capability of masking out individual segments	Yes
Colour, RAL	7016	Electronic scalability	No
Includes corner wall mount	No	Mechanical scalability	No
Installation site	wall, corner	Reach, radial	r = 1.5 m (4 m ²) / r = 3 m (14 m ²)
Installation	Surface wiring, Wall, corner	Reach, tangential	r = 5 m (39 m ²) / r = 12 m (226 m ²)
		Switching zones	508 switching zones

IS 2180 ECO

Anthracite
EAN 4007841 064907
Article number 064907



Technical specifications

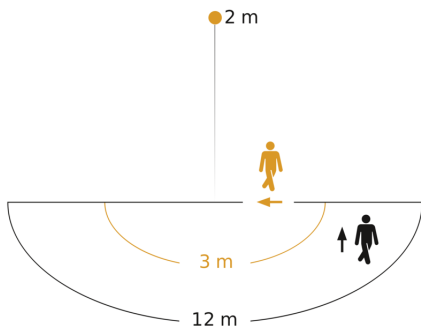
IP-rating	IP54
Ambient temperature	from -20 up to 50 °C
Material	Plastic
Mains power supply	230 V / 50 Hz
Switching output 1, resistive	2000 W
Switching output 1, floating	No
Fluorescent lamps, electronic ballast	350 W
Fluorescent lamps, uncorrected	500 VA
Fluorescent lamps, series-corrected	900 VA
Fluorescent lamps, parallel-corrected	500 VA
Switching output 1, low-voltage halogen lamps	1000 VA
LED lamps < 2 W	100 W
LED lamps > 2 W < 8 W	175 W

Cover material	shrouds
Twilight setting	2 – 2000 lx
Time setting	10 s – 15 Min.
Basic light level function	No
Main light adjustable	No
Twilight setting TEACH	No
Constant-lighting control	No
Interconnection	Yes
Type of interconnection	Master/master
Interconnection via	Cable
Product category	Motion detector

IS 2180 ECO

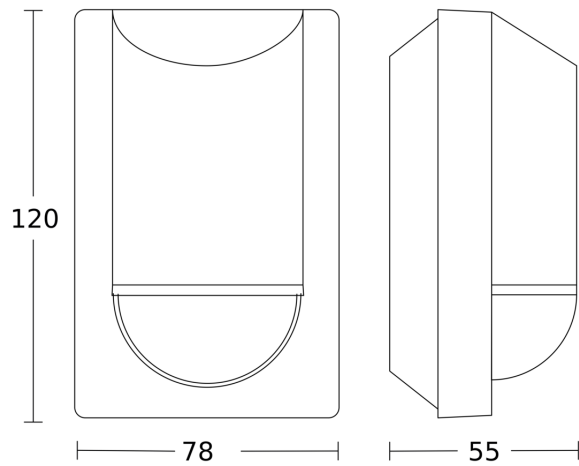
Anthracite
 EAN 4007841 064907
 Article number 064907

Detection Zone

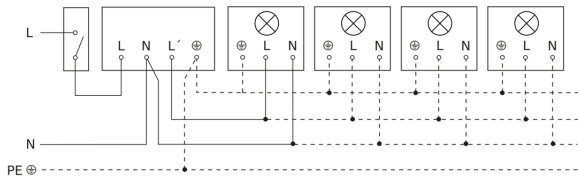


Possible mounting height: 1,80 m - 4,00 m
 Orange: radial
 Black: tangential

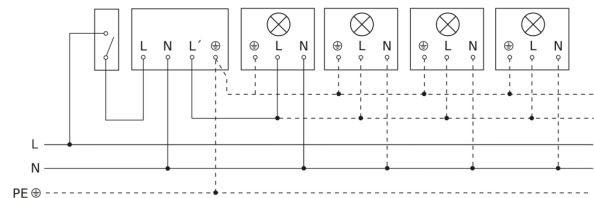
Dimension Drawing



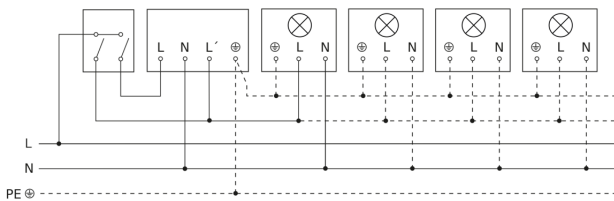
Light without neutral conductor



Light with neutral conductor



Connection using two-circuit switch for manual and automatic operation



Connection of 4-fold push-button coupler to DALI2 APC

